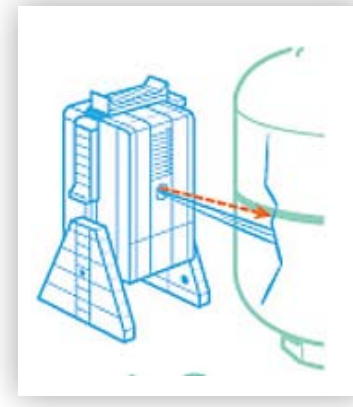


Design Engineering	Electronic Manufacturing Services	Instrumentation & Controls	Explosive Tools
Precision Machining	Metrology & Inspection	GoEinstein Parts Procurement	Technical Staffing Services

Call Us Monday - Friday 8am - 5pm MST: 1-877-808-2677

Contact Us

News



Stingray one of TIME Magazines Best Inventions of 2010

Thursday, November 11, 2010 www.time.com

Here are the year's biggest (and coolest) breakthroughs in science, technology and the arts.



Sandia Labs' device helps U.S. troops in Afghanistan disable improvised explosive devices

September 10, 2010 - Sandia News Release

A device developed by Sandia National Laboratories researchers that shoots a blade of water capable of ...



Sandia Labs' device helps U.S. troops in Afghanistan disable improvised explosive devices

September 10, 2010 - Sandia News Release

A device developed by Sandia National Laboratories researchers that shoots a blade of water capable of ...



Sandia Labs' device helps U.S. troops in Afghanistan disable improvised explosive devices

September 10, 2010 - Sandia News Release

A device developed by Sandia National Laboratories researchers that shoots a blade of water capable of ...



Sandia Labs' device helps U.S. troops in Afghanistan disable improvised explosive devices

September 10, 2010 - Sandia News Release

A device developed by Sandia National Laboratories researchers that shoots a blade of water capable of ...



Sandia Labs' device helps U.S. troops in Afghanistan disable improvised explosive devices

September 10, 2010 - Sandia News Release

A device developed by Sandia National Laboratories researchers that shoots a blade of water capable of ...



Sandia Labs' device helps U.S. troops in Afghanistan disable improvised explosive devices

September 10, 2010 - Sandia News Release

A device developed by Sandia National Laboratories researchers that shoots a blade of water capable of ...



Sandia Labs' device helps U.S. troops in Afghanistan disable improvised explosive devices

September 10, 2010 - Sandia News Release

A device developed by Sandia National Laboratories researchers that shoots a blade of water capable of ...

Sandia Labs' device helps U.S. troops in Afghanistan disable improvised explosive devices

September 10, 2010 - Sandia News Release

Sandia Labs' device helps U.S. troops in Afghanistan disable improvised explosive devices

September 10, 2010 - Sandia News Release



See TEAM in TIME Magazine
November 11, 2010



See TEAM in MACHINE DESIGN Magazine
October 7, 2010



See TEAM in ALBUQUERQUE THE MAGAZINE
November 2010

SITE MAP

Business Lines

- Design Engineering
- Mechanical Engineering
- Electrical Engineering
- Instrumentation & Controls
- Electronic Contract Manufacturing
- Energetics
- Precision Machining
- Metrology & Inspection
- GoEinstein Parts Procurement

Our Services

- Product Development
- Design for Manufacturability and Assembly
- ReEngineering
- Technology Transfer
- Research & Development for National Labs
- Alternative Energy Product Development
- Test Development
- Contract Manufacturing
- Parts Procurement System

Doing Business with TEAM

- About Us
- Certifications
- Awards
- Success Stories
- News
- Contact Us Form
- Request a Quote